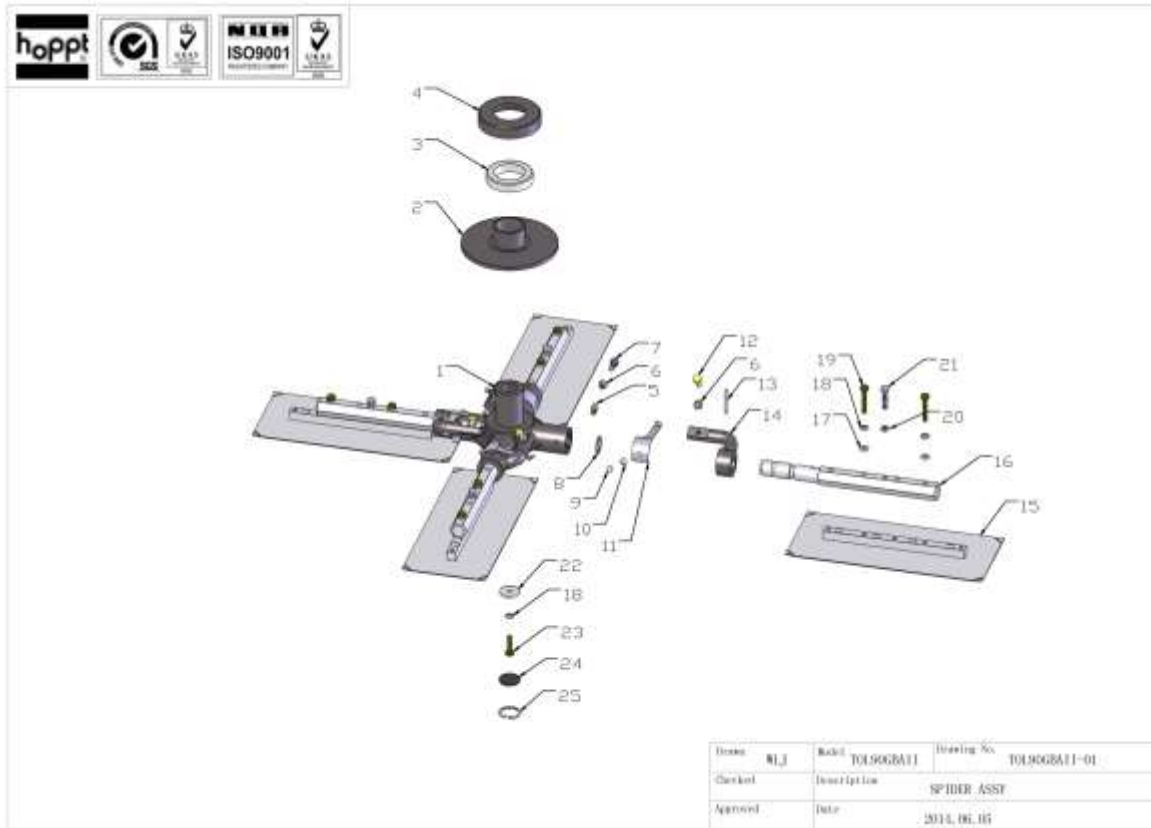


**TOL90GBA II -01 SPIDER ASSY**

NO.	PART NO.	PART DESCRIPTION	QTY
01-1	TOL90GBA II -100G-040301	SPIDER	1
01-2	TOL90GBA II -100G-040303	TILT PLATE	1
01-3	TOL90GBA II -W01-NIS-55TNK29	BEARING	1
01-4	TOL90GBA II -100G-040302	BEARING HOUSING	1
01-5	TOL90GBA II -TOL-T-001	GREASE NIPPLE	4
01-6	TOL90GBA II -FN.N-M8-DIN-1	NUT	8
01-7	TOL90GBA II -FN.B-M8x20-8.8-DIN-1	BOLT	4
01-8	TOL90GBA II -W04-25x3	O RING	4
01-9	TOL90GBA II -FN.B-M6x10-8.8-DIN-1	BOLT	4
01-10	TOL90GBA II -HSPG.W6-DIN-1	SPRING WASHER,TANG ENDS	4
01-11	TOL90GBA II -100G-060300	SPRING SLICE	4
01-12	TOL90GBA II -SHH.B-M8x25	BOLT	4
01-13	TOL90GBA II -SC.PIN-5x46-GB-3	SPRING PIN	4
01-14	TOL90GBA II -100G-060200	TILT ARM	4
01-15	TOL90GBA II -100G-050000	BLADE	4
01-16	TOL90GBA II -100G-060100D	SPIDER ARM	4
01-17	TOL90GBA II -FN.W8-DIN-1	WASHER	5
01-18	TOL90GBA II -HSPG.W8-DIN-1	SPRING WASHER,TANG ENDS	6
01-19	TOL90GBA II -FN.B-M8x45-8.8-DIN-1	BOLT	5
01-20	TOL90GBA II -FNL.N-M8-DIN-1	THIN NUT	4
01-21	TOL90GBA II -FN.B-M8x35-8.8-DIN-1	BOLT	4
01-22	TOL90GBA II -80-0402	WASHER	1
01-23	TOL90GBA II -FN.B-M8x30-8.8-DIN-1	BOLT	1
01-24	TOL90GBA II -100G-040305	RUBBER WASHER	1
01-25	TOL90GBA II -CH.RG36	INTERNAL CIRCLIP	1

# TOL90GBA II -01 SPIDER ASSY

NO.	PART NO.	PART DESCRIPTION	QTY
-----	----------	------------------	-----

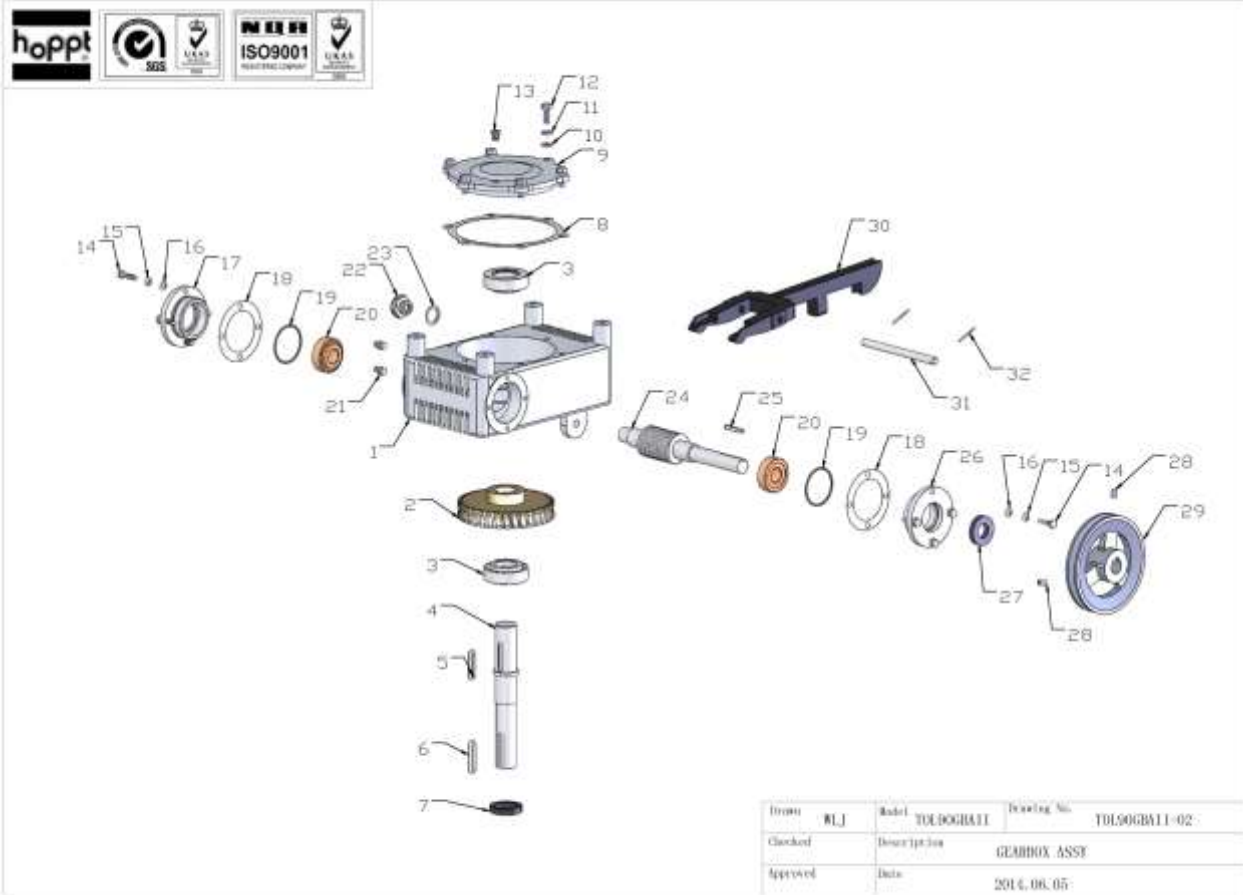


## TOL90GBA II -02 GEARBOX ASSY

NO.	PART NO.	PART DESCRIPTION	QTY
02-1	TOL90GBA II -947-040001	WORM GEAR BOX	1
02-2	TOL90GBA II -100GB-040107	WORM GEAR	1
02-3	TOL90GBA II -W01-32206-J	BEARING	2
02-4	TOL90GBA II -100GB-040115	WORM GEAR SHAFT	1
02-5	TOL90GBA II -Key.A-8x7x40	KEY	1
02-6	TOL90GBA II -Key.A-8x7x45	KEY	1
02-7	TOL90GBA II -W03-45x30x8	OIL SEAL	1
02-8	TOL90GBA II -100GB-040402	SEAL, TOP COVER	1
02-9	TOL90GBA II -100GB-040110	TOP COVER	1
02-10	TOL90GBA II -FN.W8-DIN-1	WASHER	6
02-11	TOL90GBA II -HSPG.W8-DIN-1	SPRING WASHER, TANG ENDS	6
02-12	TOL90GBA II -FN.B-M8x20-8.8-DIN-1	BOLT	6
02-13	TOL90GBA II -100G-000004	VENT SCREW	1
02-14	TOL90GBA II -FN.B-M6x25-8.8-DIN-1	BOLT	8
02-15	TOL90GBA II -HSPG.W6-DIN-1	SPRING WASHER, TANG ENDS	8
02-16	TOL90GBA II -FN.W6-DIN-1	WASHER	8
02-17	TOL90GBA II -100GB-040302	CLOSE COVER	1
02-18	TOL90GBA II -100GB-040401	SEAL, SIDE COVER	2
02-19	TOL90GBA II -W04-47.7x2.65	O RING	2
02-20	TOL90GBA II -W01-32204-J	BEARING	2
02-21	TOL90GBA II -100GB-040111	STOPPER	2
02-22	TOL90GBA II -100GB-041000	OIL GAUGE	1
02-23	TOL90GBA II -ZH-D-M20	WASHER	1
02-24	TOL90GBA II -120GB-040308	WORM	1
02-25	TOL90GBA II -Key.A-5x5x36	KEY	1
02-26	TOL90GBA II -100GB-040310	SIDE COVER	1
02-27	TOL90GBA II -W03-40x20x8	OIL SEAL	1
02-28	TOL90GBA II -FHSS.S-M8x12-GB-3	GRUB SCREW	2
02-29	TOL90GBA II -100GB-040314	PULLEY	1
02-30	TOL90GBA II -100G-060400	TILT YOKE	1
02-31	TOL90GBA II -100G-060500	SHAFT	1
02-32	TOL90GBA II -SP.PIN-2x26-GB-2	SPLIT PIN	2

# TOL90GBA II -02 GEARBOX ASSY

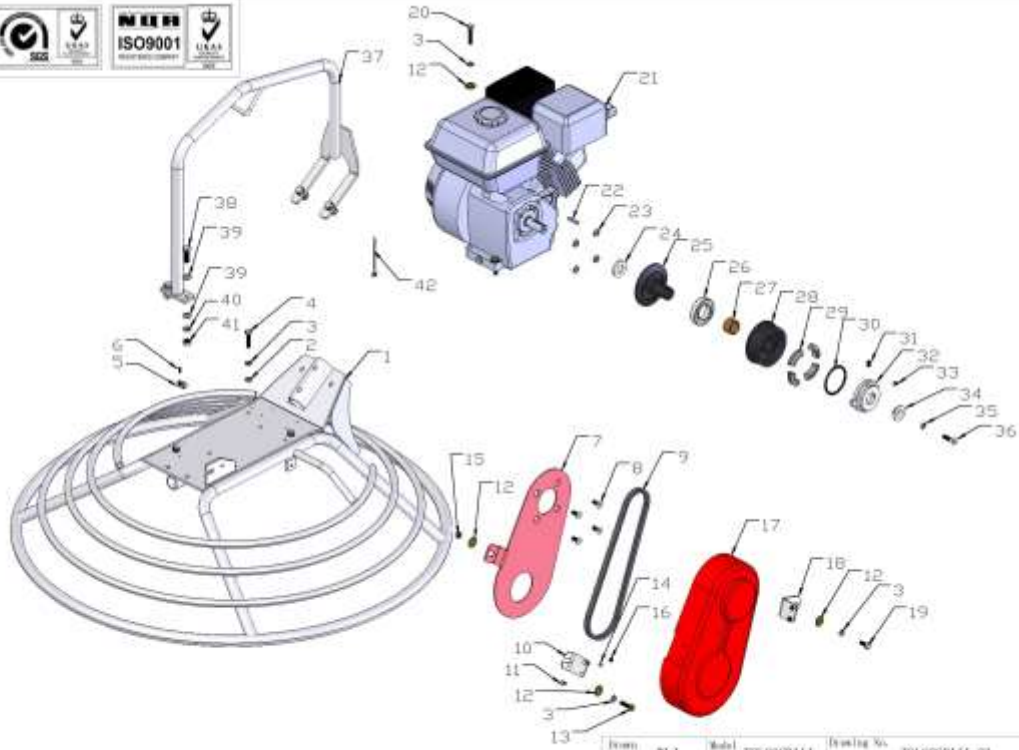
NO.	PART NO.	PART DESCRIPTION	QTY
-----	----------	------------------	-----



Drawn	KLJ	Model	TOL90GBAII	Drawing No.	TOL90GBAII-02
Checked		Description	GEARBOX ASSY		
Approved		Date	2014.06.05		

## TOL90GBA II -03 ENGINE BASE AND CLUTCH ASSY

NO.	PART NO.	PART DESCRIPTION	QTY
03-1	TOL90GBA II -90GB-020000	GUARD RING	1
03-2	TOL90GBA II -FN.W8	WASHER	4
03-3	TOL90GBA II -SPG.W8	SPRING WASHER	10
03-4	TOL90GBA II -FN.B-M8x35-8.8	BOLT	4
03-5	TOL90GBA II -X1-J-10.4	CABLE CLAMP	1
03-6	TOL90GBA II -PAN.S-M4x10	PAN HEAD SCREW	1
03-7	TOL90GBA II -90GB-030400	BACK PLATE	1
03-8	TOL90GBA II -HSF.S-M8x20	SOCKET COUNTERSUNK HEAD SCREW	4
03-9	TOL90GBA II -W02-A29	V-BELT	1
03-10	TOL90GBA II -947-00402	BRACKET 1	1
03-11	TOL90GBA II -FN.B-M5X12-8.8	BOLT	4
03-12	TOL90GBA II -WOD.W8	WASHER	6
03-13	TOL90GBA II -FN.B-M8x20-8.8	BOLT	2
03-14	TOL90GBA II -FN.W5	WASHER	4
03-15	TOL90GBA II -947-000017	LOCK NUT	4
03-16	TOL90GBA II -100G-030100	BELT GUARD	1
03-17	TOL90GBA II -100G-030300	BRACKET 2	1
03-18	TOL90GBA II -FN.B-M8x40-8.8	BOLT	4
03-19	TOL90GBA II -W05-GX160	ENGINE	1
03-20	TOL90GBA II -Key.B-5x5x32	KEY	1
03-21	TOL90GBA II -90GB-030500	BUSH	4
03-22	TOL90GBA II -276-030400	BUSH, PTO	1
03-23	TOL90GBA II -100GB-070101	SHAFT	1
03-24	TOL90GBA II -W01-6007ZZ-J	BEARING	1
03-25	TOL90GBA II -100G-070500	BUSH	1
03-26	TOL90GBA II -100GB-070105	CLUTCH DRUM	1
03-27	TOL90GBA II -100G-070400	CLUTCH BLOCK	4
03-28	TOL90GBA II -100G-070109	SPRING	1
03-29	TOL90GBA II -FHSS.S-M8x12	GRUB SCREW	1
03-30	TOL90GBA II -100G-070300	CLUTCH PLATE	1
03-31	TOL90GBA II -ConeHSS.S-M8x12	SOCKET HEAD SCREW	1
03-32	TOL90GBA II -90GB-030600	END CAP	1
03-33	TOL90GBA II -CETL.W8	COUNTERSUNK EXTERNAL TOOTHED LOCK WASHER	1
03-34	TOL90GBA II -HSF.S-M8x35	SOCKET COUNTERSUNK HEAD SCREW	1
03-35	TOL90GBA II -90GB-030200	LIFTING HANDLE	1
03-36	TOL90GBA II -FN.B-M10x30-8.8	BOLT	4
03-37	TOL90GBA II -FN.W10	WASHER	8
03-38	TOL90GBA II -SPG.W10	SPRING WASHER	4
03-39	TOL90GBA II -FN.N-M10	NUT	4



Drawn	WJ	Model	TU.902B11	Drawing No.	TU.902B11-03
Checked		Description	ENGINE BASE AND CLUTCH ASSE		
Approved		Date	2014.06.03		

## TOL90GBA II -04 OPERATION HANDLE ASSY

NO.	PART NO.	PART DESCRIPTION	QTY
04-1	TOL90GBA II -100G-010005	WHEEL BLOCK	1
04-2	TOL90GBA II -100G-010004	WHEEL	1
04-3	TOL90GBA II -SC.PIN-8x32	SPRING PIN	1
04-4	TOL90GBA II -HSPG.W10-DIN-1	SPRING WASHER,TANG ENDS	2
04-5	TOL90GBA II -FN.B-M10x35-8.8-DIN-1	BOLT	2
04-6	TOL90GBA II -120GB-090100P	HANDLE BOTTOM	1
04-7	TOL90GBA II -100GBII-000003	SPRING CLIP 2	1
04-8	TOL90GBA II -100GBII-000001	SPRING CLIP 1	1
04-9	TOL90GBA II -HS.B-M5x8-8.8-GB-1	SCREW	5
04-10	TOL90GBA II -100GBII-000002	LIFTING TUBE	1
04-11	TOL90GBA II -947-06606	SCREWD-TOMMY BAR	1
04-12	TOL90GBA II -SC.PIN-6x30	SPRING PIN	1
04-13	TOL90GBA II -947-99947	BAR	1
04-14	TOL90GBA II -SH.A-M12x40	GRIP BALL	1
04-15	TOL90GBA II -SC.PIN-5x40	SPRING PIN	1
04-16	TOL90GBA II -100G-010008	PITCH CONTROL KNOB	1
04-17	TOL90GBA II -W01-51103-J	BEARING	1
04-18	TOL90GBA II -HS.B-M6x8-8.8-GB-1	SCREW	1
04-19	TOL90GBA II -100G-010006	BEARING COVER	1
04-20	TOL90GBA II -100G-010003	ADJUSTING SCREW	1
04-21	TOL90GBA II -CS.RG16	EXTERNAL CIRCLIP	1
04-22	TOL90GBA II -SC.PIN-5x30	SPRING PIN	1
04-23	TOL90GBA II -100G-010002	SLIDE BUSH	1
04-24	TOL90GBA II -120GB-000010	DEPTH CONTROL CABLE ASSY	1
04-25	TOL90GBA II -FN.N-M6-DIN-1	NUT	2
04-26	TOL90GBA II -100G-010001	HANDLE COVER	2
04-27	TOL90GBA II -120GB-090200F	HANDLEBAR	1
04-28	TOL90GBA II -947-99998	HANDLE FOAM	1
04-29	TOL90GBA II -120GB-000003	HANDLE FABRIC	1
04-30	TOL90GBA II -F.S-M5x10	COUNTERSUNK HEAD SCREW	2
04-31	TOL90GBA II -100G-010101	CUTOUT SWITCH SHELL	1
04-32	TOL90GBA II -100G-010103	CUTOUT SWITCH LEVER	1
04-33	TOL90GBA II -100G-010104	CUTOUT SWITCH BUSH	1
04-34	TOL90GBA II -100G-010102	CUTOUT COVER	1
04-35	TOL90GBA II -F.S-M3x30-DIN-1	COUNTERSUNK HEAD SCREW	1
04-36	TOL90GBA II -100G-010107	CUTOUT SWITCH REED	1
04-37	TOL90GBA II -100G-010105	CUTOUT SWITCH OUTLET	1
04-38	TOL90GBA II -100G-010106	CUTOUT SWITCH WASHER	1
04-39	TOL90GBA II -FN.W3-DIN-2	WASHER	1
04-40	TOL90GBA II -FN.N-M3-DIN-2	NUT	2
04-41	TOL90GBA II -F.S-M4x25-DIN-1	COUNTERSUNK HEAD SCREW	3
04-42	TOL90GBA II -100G-000014	WIRE HARNESS	1
04-43	TOL90GBA II -FN.B-M6x20-8.8-DIN-2	BOLT	2

# TOL90GBA II -04 OPERATION HANDLE ASSY

NO.	PART NO.	PART DESCRIPTION	QTY
04-44	TOL90GBA II -HSPG.W6-DIN-1	SPRING WASHER,TANG ENDS	2
04-45	TOL90GBA II -HC.N-M6-DIN-2	CAP NUT	2
04-46	TOL90GBA II -HC.N-M10-DIN-2	CAP NUT	1
04-47	TOL90GBA II -FNL.N-M10-DIN-2	HEXAGON THIN NUT	1
04-48	TOL90GBA II -FN.W10-DIN-2	WASHER	2
04-49	TOL90GBA II -70ND-060000	THROTTLE LEVER	1
04-50	TOL90GBA II -FHSS.S-M6x8-GB-3	SOCKET SCREW WITH FLAT HEAD	1
04-51	TOL90GBA II -HC.N-M8-DIN-2	CAP NUT	1
04-52	TOL90GBA II -FNL.N-M8-DIN-2	HEXAGON THIN NUT	2
04-53	TOL90GBA II -FHSS.S-M8x20-GB-3	SOCKET SCREW WITH FLAT HEAD	1
04-54	TOL90GBA II -70ND-060001	THROTTLE BODY	1
04-55	TOL90GBA II -70ND-060003	BOLT	1
04-56	TOL90GBA II -70ND-060002	THROTTLE GEAR	1
04-57	TOL90GBA II -W04-45x3	O-RING	1
04-58	TOL90GBA II -70ND-060004	SLIDER	1
04-59	TOL90GBA II -W06-S04-L1420x1620	THROTTLE CABLE	1
04-60	TOL90GBA II -70ND-010018	THROTTLE LEVER ASSY	1

